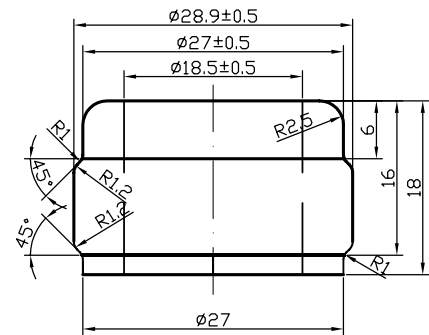
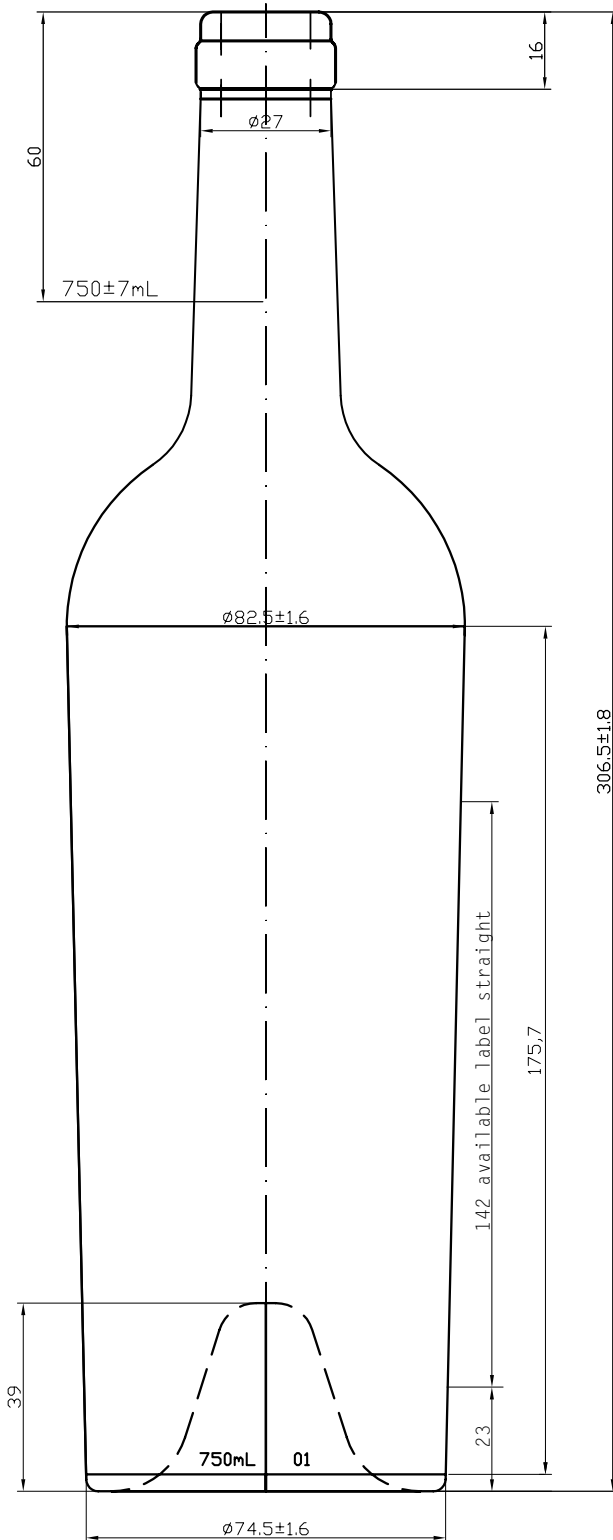


Castillo Antique Green | Premium



MASILVA USA
THE PERFECT FIT FOR YOUR WINE



Weight	$670 \pm 25 \text{ g}$
Height	$306.5 \pm 1.8 \text{ mm}$
Body ϕ	$82.5 - 74.5 \pm 1.6 \text{ mm}$
Finish ϕ	$28.9 \pm 0.5 \text{ mm}$
Bore ϕ	$18.5 \pm 0.5 \text{ mm}$
Label	142mm