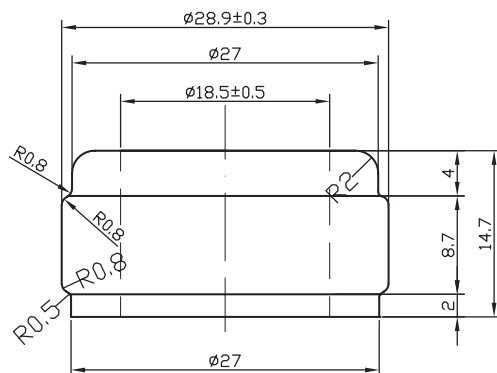
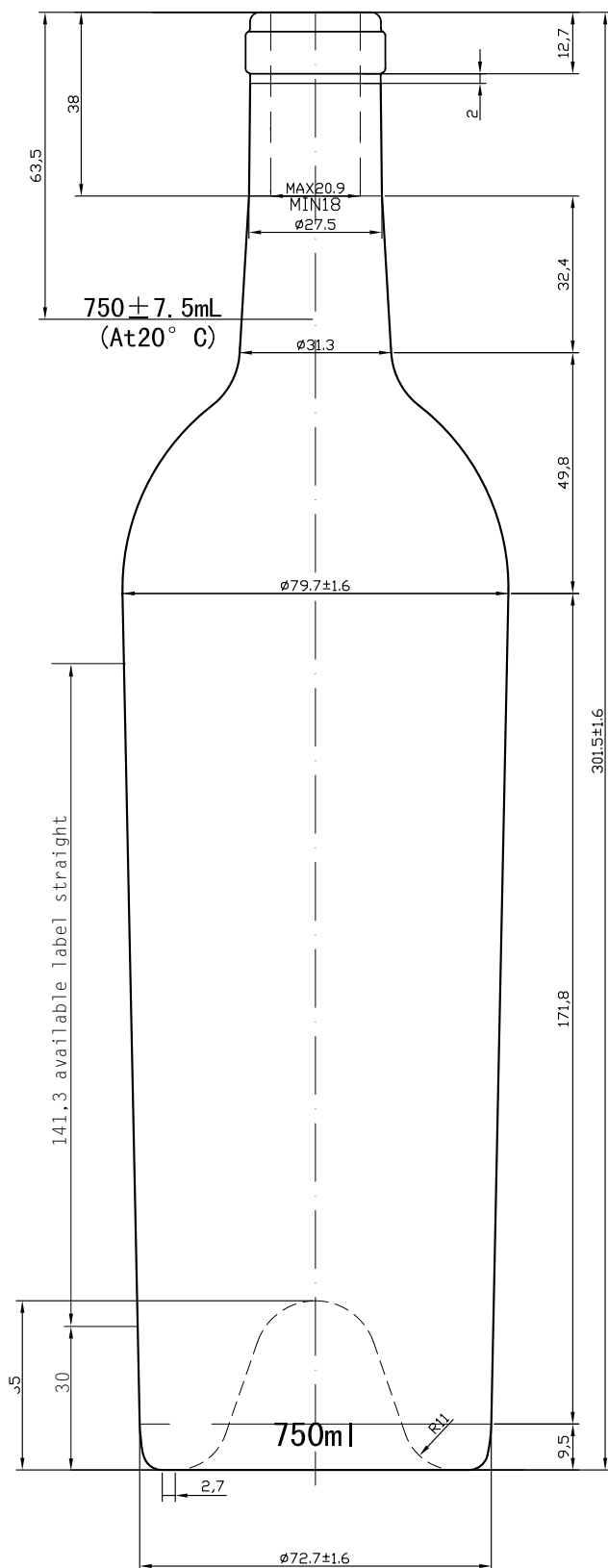


# Juncal Antique Green | Premium



**MASILVA USA**  
THE PERFECT FIT FOR YOUR WINE



Weight	560 ± 25g
Height	301.5 ± 1.6mm
Body Ø	79.7 - 72.7 ± 1.6mm
Finish	28.9 ± 0.3mm
Bore Ø	18.5 ± 0.5mm
Label	141.3mm